

DS-2XS2T41G0-ID/4G/C04S05

4 MP Solar-powered Security Camera Setup

MAIN FEATURES

- Detects human body through passive infrared which is sensitive to body temperature (PIR)
- Standalone with built-in solar panel and battery
- High quality imaging with 4 MP resolution
- Efficient H.265+ compression technology
- Provide real-time security via built-in two-way audio
- Water and dust resistant (IP66)
- Support remote control



TECHNICAL DATA

CAMERA	
Image sensor	1/3" progressive scan CMOS
Min. illumination	Color: 0.01 lux @ F1.6 (AGC ON); b/w: 0 lux with IR
Shutter speed	1/3 s to 1/100,000 s
Wide Dynamic Range	120 dB
Day & Night	IR cut filter
LENS	
Lens type	Fixed focal lens, 4 and 6 mm optional
Iris type	Fixed
Aperture	F1.6
Lens type & Field of view	4 mm: horizontal 87.7°, vertical 44°, diagonal 99.5° 6 mm: horizontal 51.8°, vertical 27.9°, diagonal 60.5°
Lens mount	M12
INFRARED	
IR range	Full consumption mode: up to 30 m Lower power mode: up to 10 m
Wavelength	850 nm
Smart supplement light	Yes
VIDEO	
Max. resolution	2688 x 1520
Main stream	50 Hz: 12.5 fps (2688 x 1520, 1920 x 1080, 1280 x 720) 60 Hz: 15 fps (2688 x 1520, 1920 x 1080, 1280 x 720)
Sub stream	50 Hz: 12.5 fps (640 x 480, 640 x 360) 60 Hz: 15 fps (640 x 480, 640 x 360)
Video compression	Main stream: H.265+/H.265/H.264+/- H.264 Sub stream: H.265/H.264/MJPEG
Video Bit rate	32 Kbps to 8 Mbps
H.264 type	Baseline Profile/Main Profile/High Profile
H.265 type	Main Profile
H.264+	Full consumption mode: main stream supports
H.265+	Full consumption mode: main stream supports
Bit rate control	CBR/VBR

Region of interest (ROI)	1 fixed region for main stream
AUDIO	
Audio sampling rate	8 kHz/16 kHz/32 kHz/44.1 kHz/48 kHz
Environment noise filtering	Yes
Audio compression	G.711/G.722.1/G.726/MP2L2/PCM/AAC/MP3
Audio Bit rate	64 Kbps (G.711ulaw/G.711alaw)/16 Kbps (G.722.1)/16 Kbps (G.726)/32 to 192 Kbps (MP2L2)/8 to 320 Kbps (MP3)/16 to 64 Kbps (AAC)
NETWORK	
Simultaneous live view	Up to 6 channels
API	EZVIZ
Protocols	TCP/IP, ICMP, HTTP, FTP, DHCP, DNS, DDNS, RTP, RTSP, RTCP, NTP, UPnP, SMT, IGMP, QoS, IPv6, UDP, Bonjour, SSL/TLS
User/host	Up to 32 users. 3 user levels: administrator, operator and user
Network storage	Auto network replenishment (ANR)
Client	iVMS-4200, Hik-Connect, Hik-Central Power consumption mode: Hik-Connect
Web browser	Plug-in required live view: IE 10+ Plug-in free live view: Chrome 57.0+, Firefox 52.0+ Local service: Chrome 57.0+, Firefox 52.0+
MOBILE COMMUNICATION	
4G frequency	LTE-TDD: Band 38/40/41; LTE-FDD: Band 1/3/5/7/8/20/28; WCDMA: Band 1/5/8; GSM: band 3/5/8
4G standard	LTE-TDD, LTE-FDD, WCDMA, GSM
IMAGE	
Day/night switch	Day, Night, Auto, Schedule
Image enhancement	BLC, HLC, 3D DNR, Defog, EIS, Distortion correction
Image settings	Rotate mode, saturation, brightness, contrast, sharpness, gain, white balance adjustable by client software or web browser
PIR	
PIR range	Up to 10 m

PIEPER

www.pieper-video.de
info@pieper-video.de

SCHWERTE

PIEPER GmbH
Binnerheide 33
58239 Schwerte
T: +49 2304 4701 0
F: +49 2304 4701 77

DÜSSELDORF

PIEPER GmbH
Gumbertstr. 111
40229 Düsseldorf
T: +49 211 2150 33
F: +49 211 2150 36

BERLIN

PIEPER GmbH
Großbeerenstr. 169
12277 Berlin
T: +49 30 722 52 99
F: +49 30 722 44 87

COTTBUS

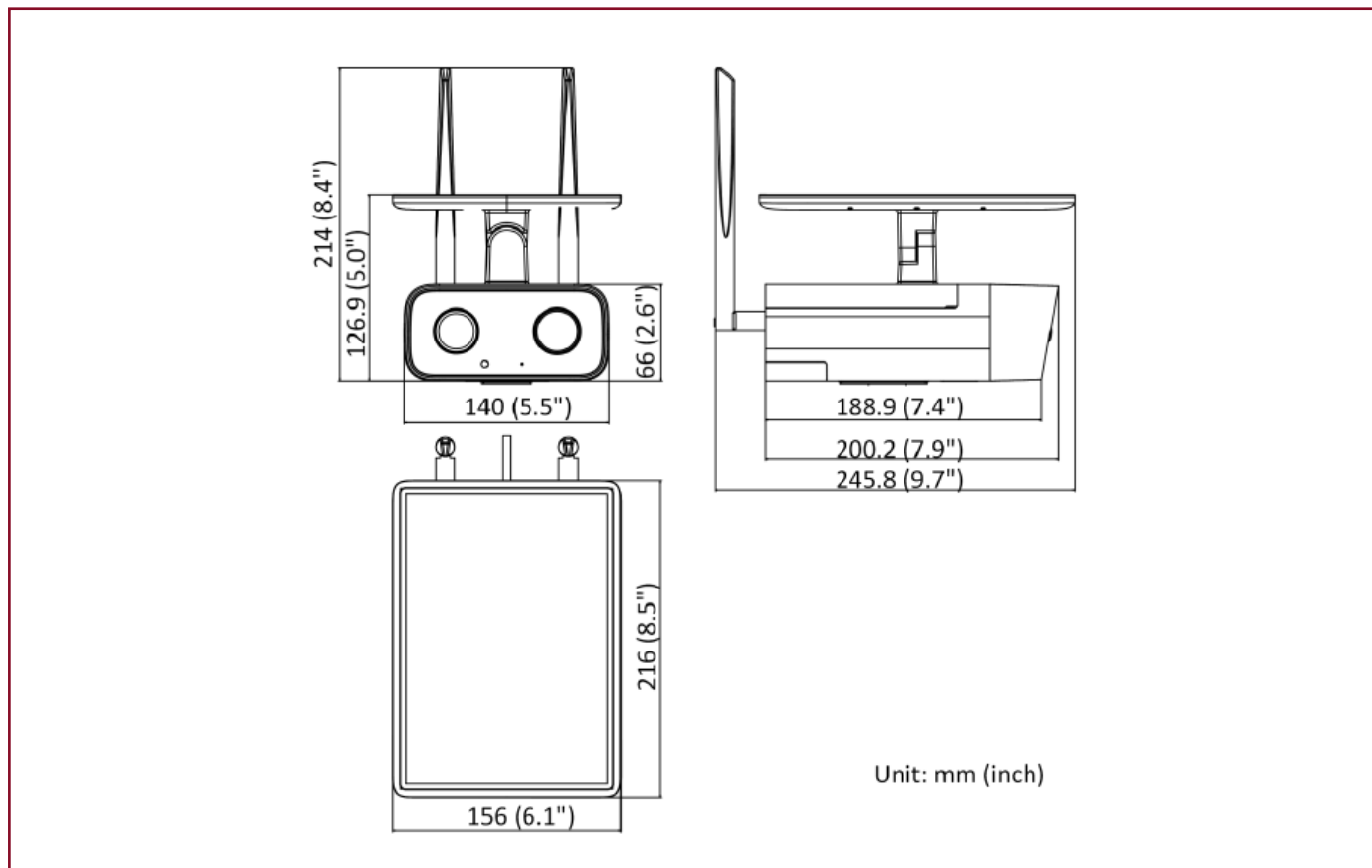
PIEPER GmbH
Calauer Str. 70
03048 Cottbus
T: +49 355 430 903 40
F: +49 355 430 903 41

TECHNICAL DATA

INTERFACE	
Ethernet interface	1 RJ45 10 M/100 M self-adaptive Ethernet port
On-Board storage	Built-in memory card slot, support microSD/SDHC/SDXC/TF card, up to 256 GB Built-in 8 GB eMMC storage (6 GB available for recording)
Built-in microphone	Yes
Built-in speaker	Yes
Hardware reset	Yes
EVENT	
Basic event	PIR, exception
GENERAL	
Linkage method	Upload to memory card, notify surveillance center, audible warning, trigger recording, trigger capture, send email
Firmware version	V5.5.120
General function	Anti-flicker, heartbeat, mirror, privacy mask, flash log, password reset via email, pixel counter
Software reset	Yes
Startup and operating conditions	0 °C to 40 °C humidity 95% or less (non-condensing)
Power supply	5 VDC ± 10%, reverse polarity protection
Power consumption and current	Typical power scenarios: 1.85 W (4G working) Standby scenarios: 40 mW Max. power consumption: 4.8 W
Power interface	Power supply interface: microUSB Extended solar panel: Ø3.5 mm, 5 V DC

Dimensions	245.8 mm × 156 mm × 214 mm
Weight	4G model: approx. 1235 g
PV panel	Dimension: 205.1 mm × 145.1 mm × 2.35 mm Standard output consumption: 5 W Standard testing condition: AM = 1.5, 25 °C, 1000 W/m ² , SMQ + 12%
BATTERY	
Battery type	Ternary lithium
Capacity	10 Ah
Max. charging voltage	4.25 V
Operating temperature	0 °C to 50 °C
Battery voltage	3.0 V to 4.2 V
Cycle lifetime	Low consumption real-time mode: 1 day (at the rate of one-hour alarm and half-hour remote live view per day) Wakeup Mode: 7 days (at the rate of 1.67-hour remote live view per day)
Battery life	More than 500 cycles
Battery weight	Approx. 4.5 kg
Charging conditions	0 °C to 50 °C (deviation ± 5°C)
Discharging conditions	-20 °C to 60 °C (deviation ± 5°C)
APPROVAL	
Class	Class B
Protection	IP66 (IEC 60529-2013)

DIMENSIONS



PIEPER

www.pieper-video.de
info@pieper-video.de

SCHWERTE

PIEPER GmbH
Binnerheide 33
58239 Schwerte
T: +49 2304 4701 0
F: +49 2304 4701 77

DÜSSELDORF

PIEPER GmbH
Gumbertstr. 111
40229 Düsseldorf
T: +49 211 2150 33
F: +49 211 2150 36

BERLIN

PIEPER GmbH
Großbeerenstr. 169
12277 Berlin
T: +49 30 722 52 99
F: +49 30 722 44 87

COTTBUS

PIEPER GmbH
Calauer Str. 70
03048 Cottbus
T: +49 355 430 903 40
F: +49 355 430 903 41