



MOBILE-INSPECTION-HD Mobile HD Furnace Inspection System

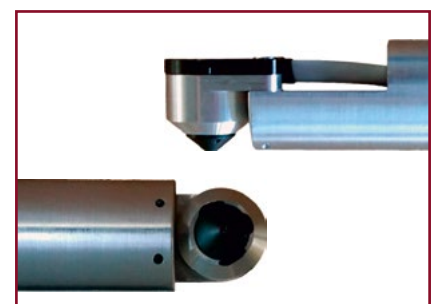
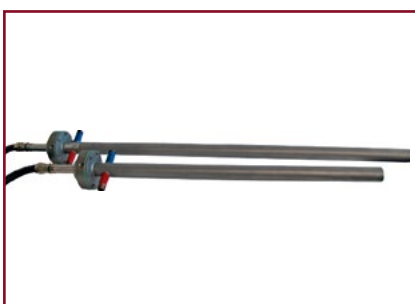
FUNCTIONALITY

The HD furnace inspection system MOBILE-INSPECTION-HD offers the user a completely IP-based system for inspecting furnaces of the most diverse designs.

The system consists of optimally matched components to ensure the simplest possible application and flexible use. The system itself is designed for the use in extreme hot environments. By means of water cooling and air purging of the furnace probe, the mobile inspection solution can be used at temperature of up to 2,000 °C. The optional air-cooled junction box can supply power to two inspection cameras in parallel via an integrated PoE switch.

STANDARD COMPONENTS

- Furnace probe 90° radial/axial, Ø 40 mm, length 1100 mm, weight approx. 8,00 kg
- Individual lengths possible
- HD inspection camera 90° radial/axial
- Max. 6 m heat protective hose from camera to junction box (depending on probe length)
- IP camera junction box with PoE switch incl. power supply, DIN rail for mounting of two main units (for cameras), optional air cooling
- Industrial PC with video management software incl. recording licenses and 96h storage capacity
- 22" industrial display for 24/7 use with protective glass pane and anti-burn-in technology



MOBILE-INSPECTION-HD - COMPONENTS & APPLICATIONS

OPTIONAL COMPONENTS

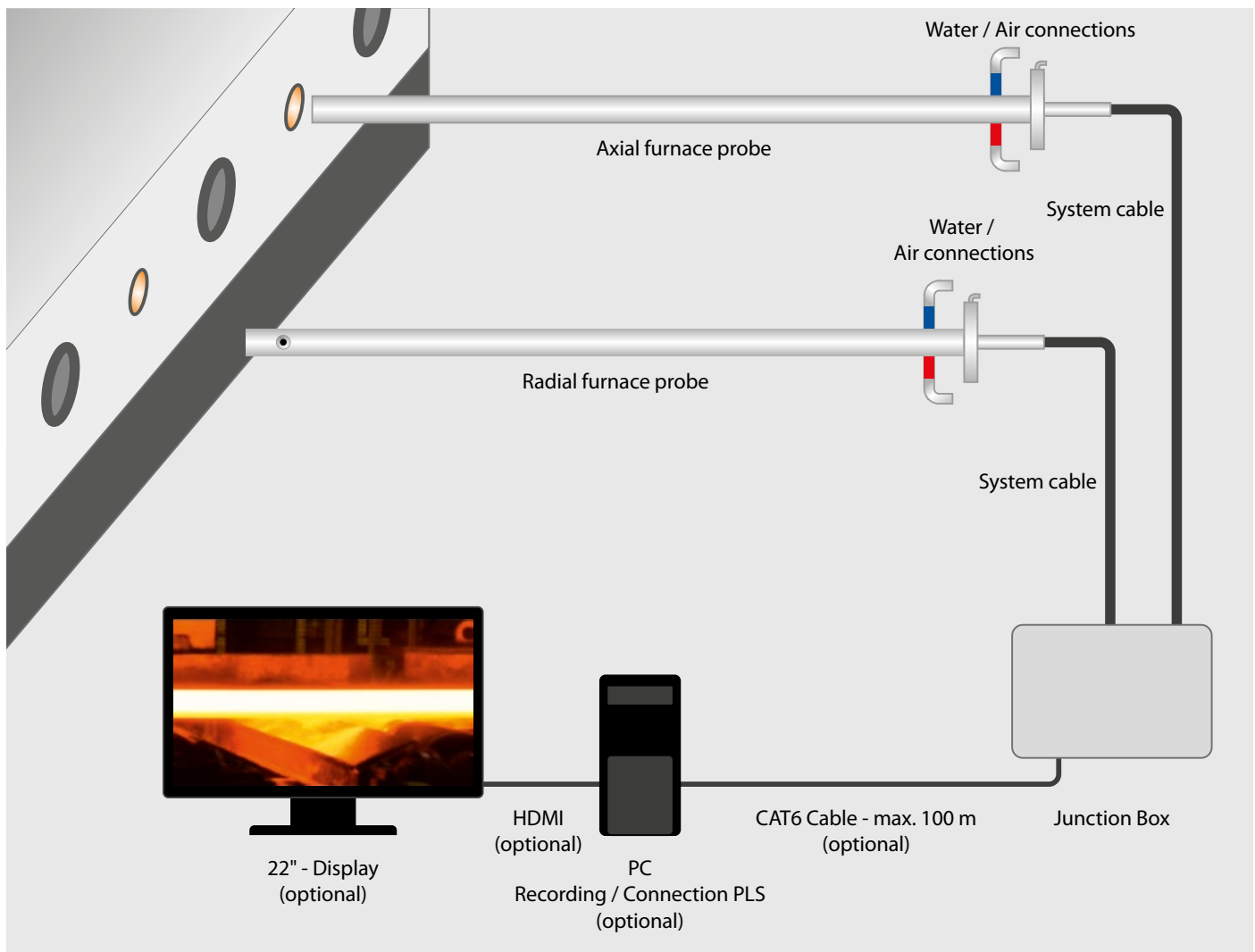
- 1-Port Profibus interface for integration into process control systems (PLC); requires additional programming
- Storage of videos by order number under pre-defined file names
- Automated recording by start/stop signal from the PLC
- Fiber optic components to gridge larger distances between junction box and network nodes
- Rolling cabinet for installation of display components and network technology
- Edge recording via SD card (storage capacity max. 64 GB)

APPLICATIONS

Optical inspection of:

- Coated furnace rolls (detect breakouts)
- Refractory linings
- Surfaces of different materials
- Burners and flames (additional filters may be necessary)

MOBILE-INSPECTION-HD - SYSTEM STRUCTURE



PIEPER

www.pieper-video.de
info@pieper-video.de

SCHWERTE

PIEPER GmbH
Binnerheide 33
58239 Schwerte
T: +49 2304 4701 0
F: +49 2304 4701 77

DÜSSELDORF

PIEPER GmbH
Gumbertstr. 111
40229 Düsseldorf
T: +49 211 2150 33
F: +49 211 2150 36

BERLIN

PIEPER GmbH
Großbeerenstr. 169
12277 Berlin
T: +49 30 722 52 99
F: +49 30 722 44 87

COTTBUS

PIEPER GmbH
Calauer Str. 70
03048 Cottbus
T: +49 355 430 903 40
F: +49 355 430 903 41