



KMF-N-1200-3-A01

Multifunction Junction Box for Network Cameras

FUNCTIONALITY

The KMF-N-1200-3-A01 junction box is suitable for all network cameras. A well thought-out concept allows the use of current as well as future plug-in boards for a variety of functions.

An integrated layer-2 switch with 3 x 10/100 Mbps and 1 x 10/100/1000 Mbps interfaces ensures a constant and fast data flow.

The junction box has an integrated, efficient 12/16 and 24 V DC power supply for PoE cameras, heating and other consumers.

MAIN FEATURES

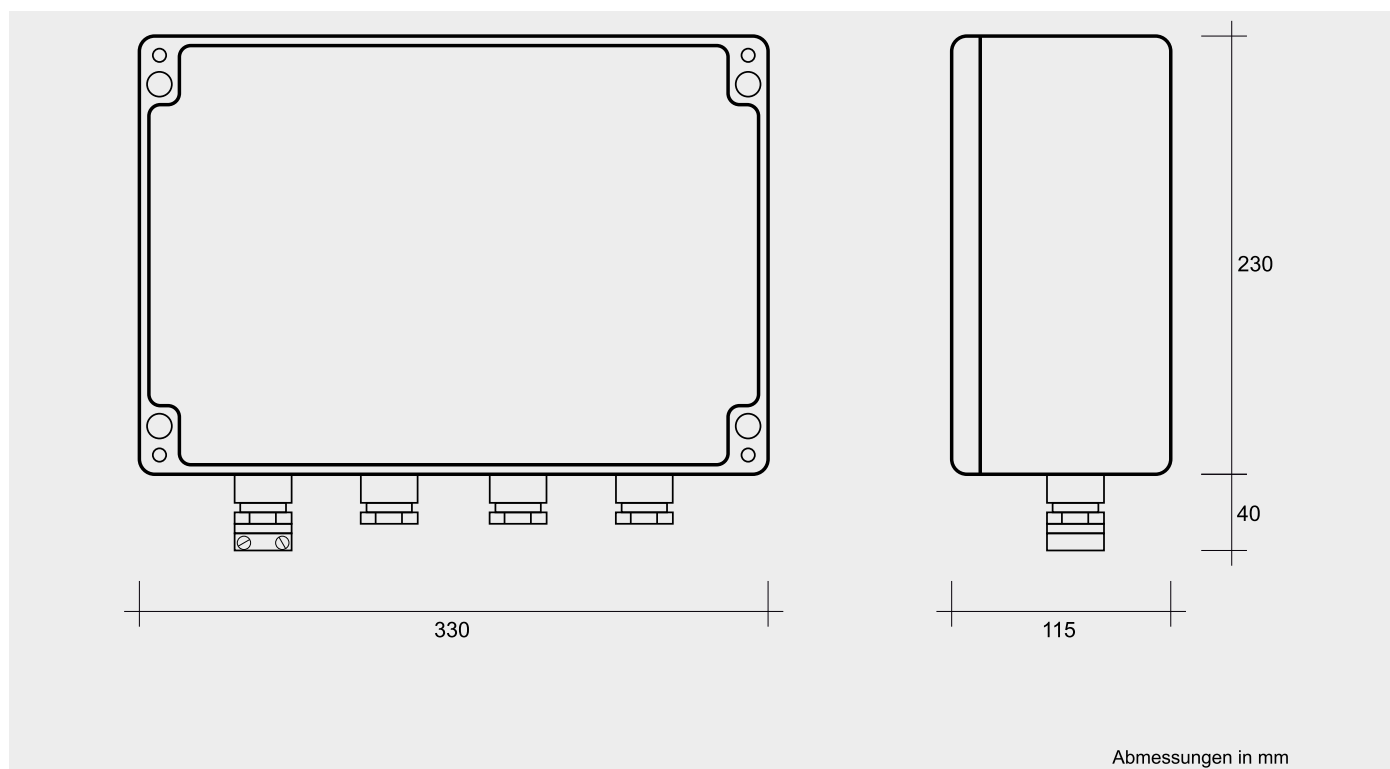
- Euro socket 230 V AC
- 2 x PoE/PoE+ Ports compatible with IEEE 802.3 af/at
- 1 x PoE-Port for non-compliant PoE-devices up to 60 W possible
- 10/100 BaseT/TX Switch with Gigabit-Uplink
- Auto MDI/MDI-X Crossover on all ports
- 32 Bit ARM Cortex M0+ controller
- Temperature monitoring of the junction box
- Web interface for configuration
- 4 x contact inputs
- Push-in spring terminals for three network ports



KMF-N-1200-3-A01 - TECHNICAL DATA

FUNCTIONS		
Management capability	<ul style="list-style-type: none"> • Switch Engine Layer 2, fully compliant with IEEE 802.3/802.3u standard • Frame Buffer Management • Address Lookup Table • Queue Management • MIB Counter • Media Access Controllers (MAC) • PHY Transceiver • Rapid Spanning Tree Support (RSTP) for topology management • Microchip LinkMD cable diagnostics to determine: cable open, shorts, length • Port Mirroring/Monitoring/Sniffing: incoming and outgoing traffic to any port or MII/RMII • Supports IEEE 802.3az Energy Efficient Ethernet (EEE) • IEEE 802.1q VLAN support for up to 128 active VLAN groups, (Full range up to 4096 VLAN-IDs) • Supports 802.1x port-based security and MAC-based authentication via Access Control Lists (ACL) 	
PHY ports	<ul style="list-style-type: none"> • 4 x IEEE 802.3/802.3u compliant • 802.1az EEE • HP Auto MDI/MDI-X Crossover 	
QoS/CoS packet prioritization	<ul style="list-style-type: none"> • 802.1p, DiffServ-Based and Re-Mapping of 802.1p Priority Field, Per-Port Basis on Four Priority Levels • 4 priority queues with dynamic mapping for IEEE 802.1p, IPv4 • ToS (DiffServ), IPv6 Traffic Class etc. 	
MAC ports	4 x IEEE 802.3 compliant	
GMAC port	1 x IEEE 802.3 compliant	
MODELS		
Housing	Die-cast aluminum	Plastic
Degree of protection	IP66 (optional Ex-Schutz)	Protection class II
Dimensions (W x H x D)	330 x 230 x 115 mm	361 x 254 x 111 mm

KMF-N-1200-3-A01 - DIMENSIONS (DIE-CAST ALUMINUM)



PIEPER

www.pieper-video.de
info@pieper-video.de

SCHWERTE

PIEPER GmbH
Binnerheide 33
58239 Schwerte
T: +49 2304 4701 0
F: +49 2304 4701 77

DÜSSELDORF

PIEPER GmbH
Gumbertstr. 111
40229 Düsseldorf
T: +49 211 2150 33
F: +49 211 2150 36

BERLIN

PIEPER GmbH
Großbeerenstr. 169
12277 Berlin
T: +49 30 722 52 99
F: +49 30 722 44 87

COTTBUS

PIEPER GmbH
Calauer Str. 70
03048 Cottbus
T: +49 355 430 903 40
F: +49 355 430 903 41