



Series KMF Multi-functional Camera Junction Box

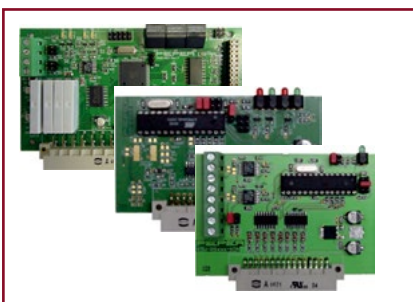
FUNCTIONALITY

The KMF series junction boxes are specially designed for video cameras. A well thought-out concept allows the use of existing and future plug-in boards for a variety of functions.

Four 16- respectively 32-pin board slots can accommodate various types of modules; including controls for lenses and pan-tilt heads, two-wire video transmitters, various switches and two-wire data control, for which RS232, RS422 and RS485 interfaces are available

MAIN FEATURES

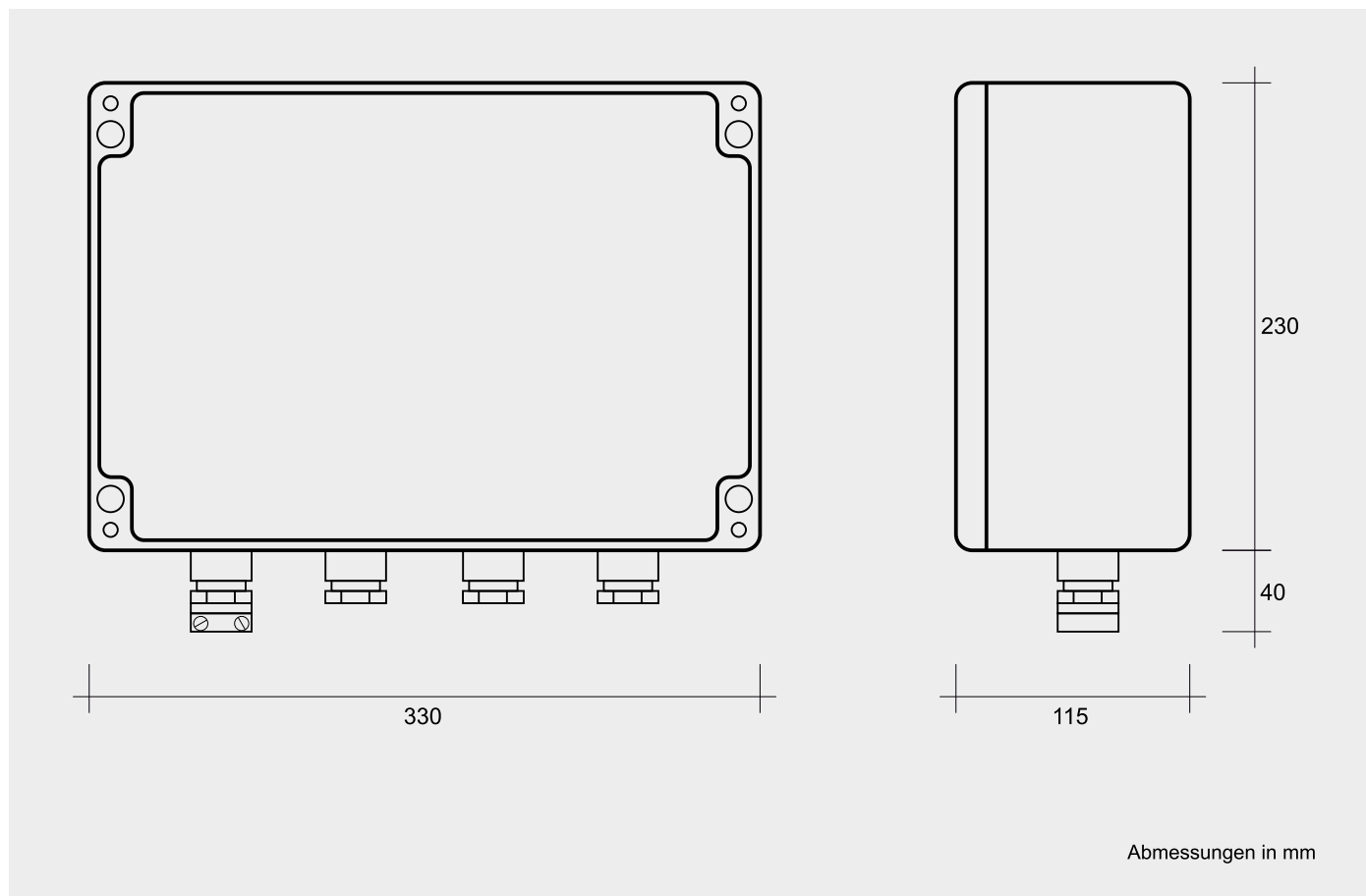
- Basic unit for conventional, digital and two-wire system control
- 230V AC service socket
- Video test socket
- Four slots for additional modules
- Stabilized power supply
- IP66 degree of protection
- Die-cast aluminum housing
- Also available for hazardous areas (EEx e and EEx i)



KMF SERIES - TECHNICAL DATA

Operating voltage	115/230 V AC, 50 Hz
Power consumption	Approx. 70 W (without external consumers)
Output voltages	5 V DC, 12 V DC, 16 V DC, 24 V AC, 230 V AC
Connectors	1 x 66-pol. terminal block, 1 x 22-pol. terminal block
Service connectors	230 V AC grounded socket, video BNC socket
Slots	2 x 16-pin and 32-pin each
Switches	Power switch: ON / OFF
Control indicators	2 x LED: +12 V / -12 V
Housing	Die-cast aluminum
Degree of protection	IP66 (Optional: Ex protection)
Dimensions (W x H x D)	330 x 230 x 115 mm

KMF SERIES - DIMENSIONS



PIEPER

www.pieper-video.de
info@pieper-video.de

SCHWERTE

PIEPER GmbH
Binnerheide 33
58239 Schwerte
T: +49 2304 4701 0
F: +49 2304 4701 77

DÜSSELDORF

PIEPER GmbH
Gumbertstr. 111
40229 Düsseldorf
T: +49 211 2150 33
F: +49 211 2150 36

BERLIN

PIEPER GmbH
Großbeerenstr. 169
12277 Berlin
T: +49 30 722 52 99
F: +49 30 722 44 87

COTTBUS

PIEPER GmbH
Calauer Str. 70
03048 Cottbus
T: +49 355 430 903 40
F: +49 355 430 903 41