

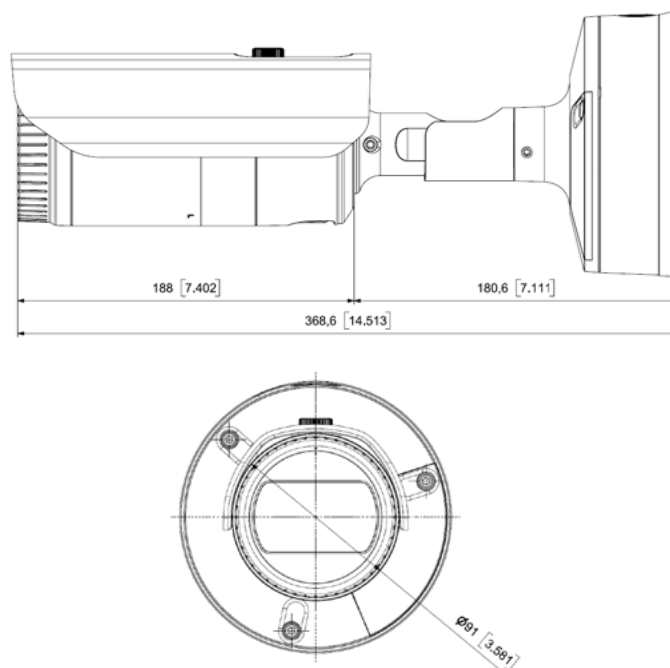


XNO-6080R 2MP Network IR Bullet Camera

MAIN FEATURES

- Max. 2 MP (1920 x 1080) resolution
- 2.8 ~ 12 mm (4.3x) motorized varifocal lens
- Max. 60fps@all resolutions (H.265/H.264)
- H.265, H.264, MJPEG codec supported, Multiple streaming
- Day & Night (ICR), WDR (150 dB), Defog
- Loitering, directional detection, fog detection, audio detection, digital audio tracking, sound classification, tampering
- Motion detection, Handover
- SD/SDHC/SDXC memory slot (Max. 512 GB)
- Hallway view, WiseStream II support
- IR viewable length 50 m, IP67/IP66, NEMA 4X, IK10
- LDC support (Lens Distortion Correction)
- PoE / 24 V AC, 12 V DC, Bi-directional audio support

DIMENSIONS



XNO-6080R - TECHNICAL DATA

VIDEO	
Image Device	1/2.8" 2M CMOS
Total Pixels	1,945 (H) x 1,109 (V) 2.16M
Effective Pixels	1,945 (H) x 1,097 (V) 2.13M
Scanning System	Progressive Scan
Min. Illumination	Color: 0.015 Lux (F1.4, 1/30 sec.), B/W: 0 Lux (IR LED on)
S/N Ratio	50 dB
Video out	CVBS : 1.0Vpp / 75Ω composite, 720 x 480(N), 720 x 576(P), for installation USB : micro USB type B, 1280 x 720 for installation
LENS	
Focal Length (Zoom Ratio)	2.8 ~ 12mm (4.3x) motorized varifocal
Max. Aperture Ratio	F1.4(Wide) ~ F3.6(Tele)
Angular Field of View	H : 119.5° ~ 27.9° / V : 62.8° ~ 15.7° / D : 142.1° ~ 32.0°
Min. Object Distance	0.5m (1.64ft)
Focus Control	Simple focus (Motorized V/F) / Manual, Remote control via network (Manual, Simple focus)
Lens / Mount type	DC auto iris, P-Iris / Board-in type
OPERATIONAL	
IR Viewable Length	50m (164.04ft)
Camera Title	Off / On (Displayed up to 85 characters) - W/W : English / Numeric / Special characters - China : English / Numeric / Special / Chinese characters - Common : Multi-line (Max. 5), Color (Grey / Green / Red / Blue / Black / White), Transparency, Auto scale by resolution
Day & Night	Auto (ICR) / Color / B/W / External / Schedule
Backlight Compensation	Off / BLC / HLC (Masking / Dimming), WDR
Wide Dynamic Range	150dB
Contrast Enhancement	SSDR (Off / On)
Digital Noise Reduction	SSNRV (2D+3D noise filter) (Off / On)
Digital Image Stabilization	Off / On
Defog	Off / Auto (Input from fog detection) / Manual
Motion Detection	Off / On (8ea, 8point polygonal zones), Handover
Privacy Masking	Off / On (32ea, Polygonal) - Color : Grey / Green / Red / Blue / Black / White, Mosaic
Gain Control	Off / Low / Middle / High
White Balance	ATW / AWC / Manual / Indoor / Outdoor (Included mercury & Sodium)
Contrast	Level adjustment
LDC (Lens Distortion Correction)	Off / On (5 levels with min / max)
Electronic Shutter Speed	Minimum / Maximum / Anti flicker (2 ~ 1/12,000sec)
Digital PTZ	24x, Digital PTZ (Preset, Group)
Flip / Mirror	Off / On, Hallway view : 90°/270°
Video & Audio Analytics	Tampering, Loitering, Directional detection, Defocus detection, Fog detection, Virtual line, Enter / Exit, (Dis)Appear, Audio detection, Face detection, Motion detection, Digital auto tracking, Sound classification
Alarm I/O	Input 1ea / Output 1ea
Alarm Triggers	Alarm input, Motion detection, Video & Audio analytics, Network disconnect
Alarm Events	File upload via FTP, E-mail, Notification via E-mail, Local storage (SD/SDHC/SDXC) or NAS recording at event triggers, External output, DPTZ preset
Pixel Counter	Support

XNO-6080R - TECHNICAL DATA

NETWORK	
Ethernet	RJ-45 (10/100BASE-T)
Video Compression Format	H.265 / H.264 (MPEG-4 part 10/AVC) : Main / Baseline / High, MJPEG
Resolution	1920 x 1080, 1280 x 1024, 1280 x 960, 1280 x 720, 1024 x 768, 800 x 600, 800 x 448, 720 x 576, 720 x 480, 640 x 480, 640 x 360, 320 x 240
Max. Framerate	H.265 / H.264 : Max. 60fps at all resolutions, MJPEG : Max. 30fps
Smart Codec	Manual mode (Area-based : 5ea)
WiseStream II	Support
Video Quality Adjustment	H.265 / H.264 : Target bitrate level control, MJPEG : Target bitrate level control
Bitrate Control Method	H.265 / H.264 : CBR or VBR, MJPEG : VBR
Streaming Capability	Multiple streaming (Up to 10 profiles)
Audio in	Selectable (Mic in / Line in), Supply voltage : 2.5V DC (4mA), Input impedance : approx. 2K Ohm
Audio out	Line out, Max output level : 1Vrms
Audio Compression Format	G.711 u-law/G.726 selectable, G.726 (ADPCM) 8KHz, G.711 8KHz G.726 : 16Kbps, 24Kbps, 32Kbps, 40Kbps, AAC-LC : 48Kbps at 8/16/32/48KHz
Audio Communication	Bi-directional (2-way)
IP	IPv4, IPv6
Protocol	TCP/IP, UDP/IP, RTP(UDP), RTP(TCP), RTCP, RTSP, NTP, HTTP, HTTPS, SSL/TLS, DHCP, PPPoE, FTP, SMTP, ICMP, IGMP, SNMPv1/v2c/v3(MIB-2), ARP, DNS, DDNS, QoS, PIM-SM, UPnP, Bonjour
Security	HTTPS(SSL) login authentication, Digest login authentication IP address filtering, User access log, 802.1X authentication (EAP-TLS, EAP-LEAP)
Streaming Method	Unicast / Multicast
Max. User Access	20 users at unicast mode
Edge Storage	SD/SDHC/SDXC 2slot (Up to 512GB) - Continuous recording (1st slot to 2nd slot) NAS (Network Attached Storage), Local PC for instant recording
Application Programming Interface	ONVIF profile S/G, SUNAPI (HTTP API), Wisenet Open Platform
Webpage Language	English, Korean, Chinese, French, Italian, Spanish, German, Japanese, Russian, Swedish, Portuguese, Czech, Polish, Turkish, Dutch, Hungarian, Greek
Web Viewer	Supported OS : Windows 7, 8.1, 10, Mac OS X 10.10, 10.11, 10.12 Non-plugin Webviewer - Supported Browser : Google Chrome 54, MS Edge 38, Mozilla Firefox 49(Window 64bit only), Apple Safari 9 * Mac OS X only Plug-in Webviewer - Supported Browser : MS Explorer 11, Apple Safari 9 * Mac OS X only
Central Management Software	SmartViewer, SSM
ENVIRONMENTAL	
Operating Temperature / Humidity	-40°C ~ +55°C (-40°F ~ +131°F) / Less than 90% RH
Storage Temperature / Humidity	-50°C ~ +60°C (-58°F ~ +140°F) / Less than 90% RH
Ingress Protection / Vandal Resistance	IP67, IP66, NEMA 4X / IK10
ELECTRICAL	
Input Voltage / Current	24V AC ±10%, 12V DC ±10%, PoE (IEEE802.3af)
Power Consumption	Max. 12W (12VDC), Max. 12.95W (PoE), Max. 15W (24VAC)
MECHANICAL	
Color / Material	Dark gray / Aluminum
Dimensions (W x H)	Ø91.0 x 368.6mm (Ø3.58" x 14.51") (Without sunshield)
Weight	2.18Kg (4.81lb)

PIEPER

www.pieper-video.de
info@pieper-video.de

SCHWERTE

PIEPER GmbH
Binnerheide 33
58239 Schwerte
T: +49 2304 4701 0
F: +49 2304 4701 77

DÜSSELDORF

PIEPER GmbH
Gumbertstr. 111
40229 Düsseldorf
T: +49 211 2150 33
F: +49 211 2150 36

BERLIN

PIEPER GmbH
Großbeerenstr. 169
12277 Berlin
T: +49 30 722 52 99
F: +49 30 722 44 87

COTTBUS

PIEPER GmbH
Calauer Str. 70
03048 Cottbus
T: +49 355 430 903 40
F: +49 355 430 903 41