

ASZ-800-HS Series

Furnace Probe Retraction Device - Special Design for Glass Melting Furnaces

FUNCTIONALITY

PIEPER retraction devices of the ASZ series serve to protect furnace probes used for combustion chamber interior monitoring. In the event of a malfunction, the probe is automatically moved out of the furnace by the retraction device and the furnace opening is sealed by a forced actuated valve. Damage caused by overheating to the probe, camera and lens is prevented.

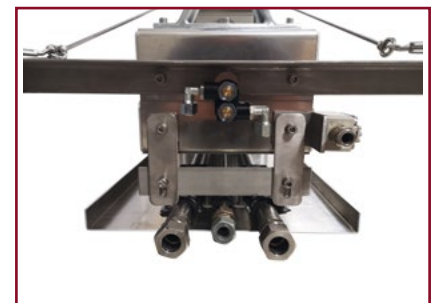
Developed for the use on glass melt furnaces, the ASZ-800-HS series has a heat protection plate and fixed piping on the underside for coolant and compressed air. This makes it particularly robust and heat-resistant.

A front-mounted spigot joint with a water-cooled front plate is used for an exact mounting to a furnace wall.

Like all PIEPER retraction devices, the ASZ-800-HS can be mounted either hanging or standing with an additional substructure.

MAIN FEATURES

- Pneumatically controlled linear actuator
- Variable probe installation depths, position-independent installation
- Forced actuated valve
- Corrosion-resistant
- Different stroke lengths available
- Default designed for probe diameters of 64 mm, 76 mm and 104 mm
- Optional 360° rotatable probe operation
- Heat shield
- Fixed piping for coolant and compressed air



ASZ-800-HS SERIES - FEATURES

GENERAL

Pneumatically controlled, linear extension system

Corrosion resistant

Low maintenance

Compatible with:

- Axial and radial furnace probes series FRS
- Furnace probes with integrated lighting FRS-LI
- Radial probes for 360° rotary operation
- Furnace probes with integrated temperature measurement

Different stroke lengths for different probe lengths

Designed for probe diameters 64, 76 or 104 mm as standard; individual designs possible

Including probe quick lock, air-cooled furnace valves

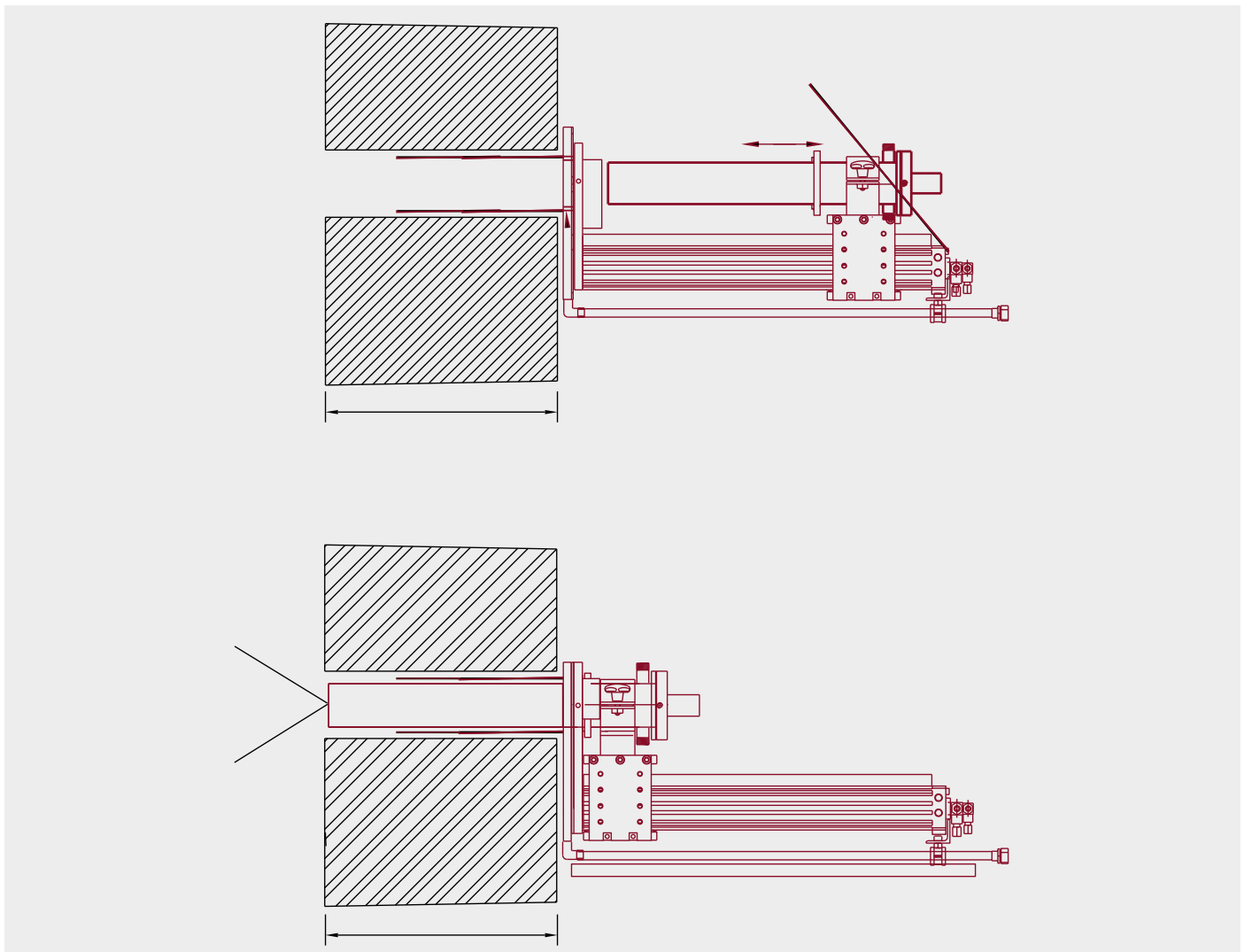
Optional suspension device or substructure

Optional spigot joint with water-cooled front plate

Heat shield

Fixed piping for coolant and compressed air

ASZ-800-HS SERIES - VIEW (CUT)



PIEPER

www.pieper-video.de
info@pieper-video.de

SCHWERTE

PIEPER GmbH
Binnerheide 33
58239 Schwerte

T: +49 2304 4701 0
F: +49 2304 4701 77

DÜSSELDORF

PIEPER GmbH
Gumbertstr. 111
40229 Düsseldorf

T: +49 211 2150 33
F: +49 211 2150 36

BERLIN

PIEPER GmbH
Großbeerenstr. 169
12277 Berlin

T: +49 30 722 52 99
F: +49 30 722 44 87

COTTBUS

PIEPER GmbH
Calauer Str. 70
03048 Cottbus

T: +49 355 430 903 40
F: +49 355 430 903 41